

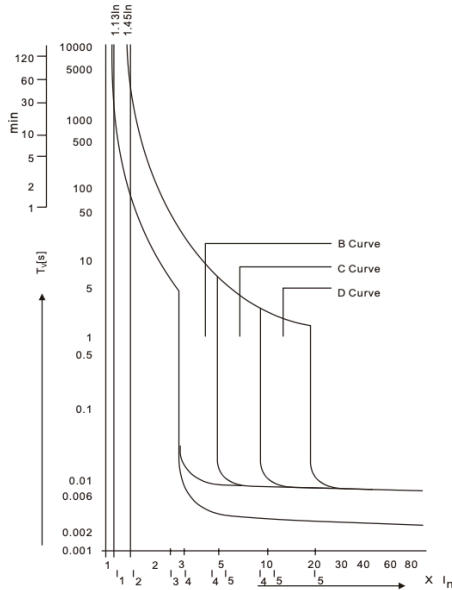


Technical Data

Electrical Features	Rated current In	1,2,6,8,10,12,16,20,25,32,40,50,63
	Poles	1P, 1P+N, 2P, 3P, 3P+N, 4P
	Rated voltage Ue	240/415 V
	Insulation voltage Ui	500 V
	Rated frequency	50/60 Hz
	Rated breaking capacity	6000 A
	Energy limiting class	3
	Rated impulse withstand voltage (1.5/50) Uimp	4000 V
	Dielectric test voltage at industrial frequency for 1 min	2 kV
	Pollution degree	2
	Thermo-magnetic release characteristic	8-12In
Tripping curve characteristic	B, C, D	
Mechanical Features	Electrical life	8000 cycles
	Mechanical life	20000 cycles
	Contact position indicator	Yes
	Protection degree	IP20
	Reference temperature for setting of thermal elements	30°C
	Ambient temperature (with daily average $\leq 35^{\circ}\text{C}$)	-5°C ~ +40°C
	Storage temperature	-25°C ~ +70°C
Installation	Terminal connection type	Cable/Pin-type busbar
	Terminal size top/bottom for cable	25mm ² 18-2AWG
	Terminal size top/bottom for busbar	25mm ² 18-2AWG
	Tightening torque	2.5Nm 22In-lbs
	Mounting	DIN rail EN 60715 (35mm)
Connection	Power supply in both directions	

Characteristics

Curves



As per IEC60898	Thermal Tripping		Magnetic Tripping			
	No tripping current	Tripping current I_2	Time Limits t	Hold current I_4	Trip current I_5	Time Limits t
B Curve	$1.13 \times I_N$	$1.45 \times I_N$	$\geq 2h$	$3 \times I_N$	$5 \times I_N$	$\geq 0.1s$
			$< 1h$			$< 0.1s$
C Curve	$1.13 \times I_N$	$1.45 \times I_N$	$\geq 2h$	$5 \times I_N$	$10 \times I_N$	$\geq 0.1s$
			$< 1h$			$< 0.1s$
D Curve	$1.13 \times I_N$	$1.45 \times I_N$	$\geq 2h$	$10 \times I_N$	$20 \times I_N$	$\geq 0.1s$
			$< 1h$			$< 0.1s$

Tripping characteristics

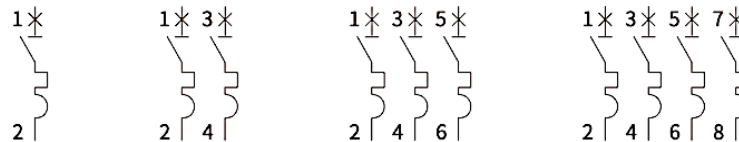
Based on the Tripping Characteristics, MCB are available in “B”, “C”, and “D” curve to suit different types of applications.

“B” Curve for protection of electrical circuits with equipment that does not cause surge current (lighting and distribution circuits). Short circuit release is set to $(3-5)I_N$.

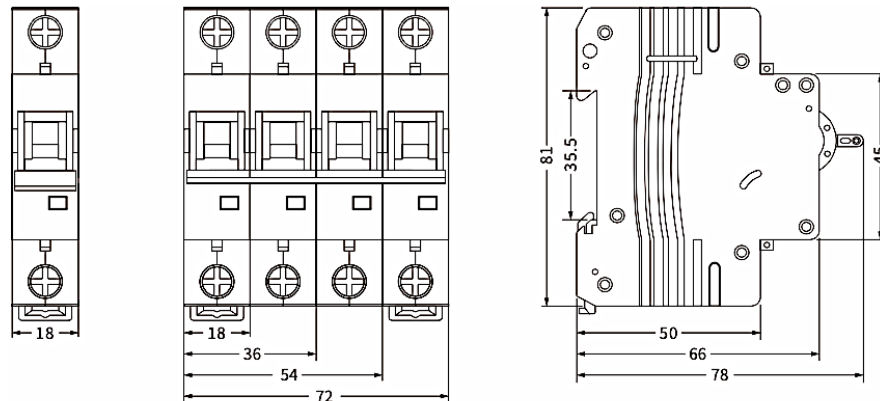
“C” Curve for protection of electrical circuits with equipment that cause surge current (inductive loads and motor circuits). Short circuit release is set to $(5-10)I_N$.

“D” Curve for protection of electrical circuits with cause high inrush current ,typically 12-15 times the thermal rated current (transformers, x-ray machines etc.). Short circuit release is set to $(10-20)I_N$.

Circuit Diagram



Overall and Installation Dimension (mm)



	Product	China market	International market
Ordering information of 1-Pole MCB	1P 1A, tripping curve B	EKM1-63 B1	EKM1-63 1A, B-type
	1P 1A, tripping curve C	EKM1-63 C1	EKM1-63 1A, C-type
	1P 1A, tripping curve D	EKM1-63 D1	EKM1-63 1A, D-type
	1P 2A, tripping curve B	EKM1-63 B2	EKM1-63 2A, B-type
	1P 2A, tripping curve C	EKM1-63 C2	EKM1-63 2A, C-type
	1P 2A, tripping curve D	EKM1-63 D2	EKM1-63 2A, D-type
	1P 6A, tripping curve B	EKM1-63 B6	EKM1-63 6A, B-type
	1P 6A, tripping curve C	EKM1-63 C6	EKM1-63 6A, C-type
	1P 6A, tripping curve D	EKM1-63 D6	EKM1-63 6A, D-type
	1P 8A, tripping curve B	EKM1-63 B8	EKM1-63 8A, B-type
	1P 8A, tripping curve C	EKM1-63 C8	EKM1-63 8A, C-type
	1P 8A, tripping curve D	EKM1-63 D8	EKM1-63 8A, D-type
	1P 10A, tripping curve B	EKM1-63 B10	EKM1-63 10A, B-type
	1P 10A, tripping curve C	EKM1-63 C10	EKM1-63 10A, C-type
	1P 10A, tripping curve D	EKM1-63 D10	EKM1-63 10A, D-type
	1P 12A, tripping curve B	EKM1-63 B12	EKM1-63 12A, B-type
	1P 12A, tripping curve C	EKM1-63 C12	EKM1-63 12A, C-type
	1P 12A, tripping curve D	EKM1-63 D12	EKM1-63 12A, D-type
	1P 16A, tripping curve B	EKM1-63 B16	EKM1-63 16A, B-type
	1P 16A, tripping curve C	EKM1-63 C16	EKM1-63 16A, C-type
	1P 16A, tripping curve D	EKM1-63 D16	EKM1-63 16A, D-type
	1P 20A, tripping curve B	EKM1-63 B20	EKM1-63 20A, B-type
	1P 20A, tripping curve C	EKM1-63 C20	EKM1-63 20A, C-type
	1P 20A, tripping curve D	EKM1-63 D20	EKM1-63 20A, D-type
	1P 25A, tripping curve B	EKM1-63 B25	EKM1-63 25A, B-type
	1P 25A, tripping curve C	EKM1-63 C25	EKM1-63 25A, C-type
	1P 25A, tripping curve D	EKM1-63 D25	EKM1-63 25A, D-type
	1P 32A, tripping curve B	EKM1-63 B32	EKM1-63 32A, B-type
	1P 32A, tripping curve C	EKM1-63 C32	EKM1-63 32A, C-type
	1P 32A, tripping curve D	EKM1-63 D32	EKM1-63 32A, D-type
	1P 40A, tripping curve B	EKM1-63 B40	EKM1-63 40A, B-type
	1P 40A, tripping curve C	EKM1-63 C40	EKM1-63 40A, C-type
	1P 40A, tripping curve D	EKM1-63 D40	EKM1-63 40A, D-type
	1P 50A, tripping curve B	EKM1-63 B50	EKM1-63 50A, B-type
1P 50A, tripping curve C	EKM1-63 C50	EKM1-63 50A, C-type	
1P 50A, tripping curve D	EKM1-63 D50	EKM1-63 50A, D-type	
1P 63A, tripping curve B	EKM1-63 B63	EKM1-63 63A, B-type	
1P 63A, tripping curve C	EKM1-63 C63	EKM1-63 63A, C-type	
1P 63A, tripping curve D	EKM1-63 D63	EKM1-63 63A, D-type	
Ordering information of 1-Pole + 1N MCB	1P+N 1A, tripping curve B	EKM1-63 B1	EKM1-63 1A, B-type
	1P+N 1A, tripping curve C	EKM1-63 C1	EKM1-63 1A, C-type
	1P+N 1A, tripping curve D	EKM1-63 D1	EKM1-63 1A, D-type
	1P+N 2A, tripping curve B	EKM1-63 B2	EKM1-63 2A, B-type
	1P+N 2A, tripping curve C	EKM1-63 C2	EKM1-63 2A, C-type
	1P+N 2A, tripping curve D	EKM1-63 D2	EKM1-63 2A, D-type
	1P+N 6A, tripping curve B	EKM1-63 B6	EKM1-63 6A, B-type
	1P+N 6A, tripping curve C	EKM1-63 C6	EKM1-63 6A, C-type
	1P+N 6A, tripping curve D	EKM1-63 D6	EKM1-63 6A, D-type
	1P+N 8A, tripping curve B	EKM1-63 B8	EKM1-63 8A, B-type
1P+N 8A, tripping curve C	EKM1-63 C8	EKM1-63 8A, C-type	
1P+N 8A, tripping curve D	EKM1-63 D8	EKM1-63 8A, D-type	
1P+N 10A, tripping curve B	EKM1-63 B10	EKM1-63 10A, B-type	

1P+N 10A, tripping curve C	EKM1-63 C10	EKM1-63 10A, C-type
1P+N 10A, tripping curve D	EKM1-63 D10	EKM1-63 10A, D-type
1P+N 12A, tripping curve B	EKM1-63 B12	EKM1-63 12A, B-type
1P+N 12A, tripping curve C	EKM1-63 C12	EKM1-63 12A, C-type
1P+N 12A, tripping curve D	EKM1-63 D12	EKM1-63 12A, D-type
1P+N 16A, tripping curve B	EKM1-63 B16	EKM1-63 16A, B-type
1P+N 16A, tripping curve C	EKM1-63 C16	EKM1-63 16A, C-type
1P+N 16A, tripping curve D	EKM1-63 D16	EKM1-63 16A, D-type
1P+N 20A, tripping curve B	EKM1-63 B20	EKM1-63 20A, B-type
1P+N 20A, tripping curve C	EKM1-63 C20	EKM1-63 20A, C-type
1P+N 20A, tripping curve D	EKM1-63 D20	EKM1-63 20A, D-type
1P+N 25A, tripping curve B	EKM1-63 B25	EKM1-63 25A, B-type
1P+N 25A, tripping curve C	EKM1-63 C25	EKM1-63 25A, C-type
1P+N 25A, tripping curve D	EKM1-63 D25	EKM1-63 25A, D-type
1P+N 32A, tripping curve B	EKM1-63 B32	EKM1-63 32A, B-type
1P+N 32A, tripping curve C	EKM1-63 C32	EKM1-63 32A, C-type
1P+N 32A, tripping curve D	EKM1-63 D32	EKM1-63 32A, D-type
1P+N 40A, tripping curve B	EKM1-63 B40	EKM1-63 40A, B-type
1P+N 40A, tripping curve C	EKM1-63 C40	EKM1-63 40A, C-type
1P+N 40A, tripping curve D	EKM1-63 D40	EKM1-63 40A, D-type
1P+N 50A, tripping curve B	EKM1-63 B50	EKM1-63 50A, B-type
1P+N 50A, tripping curve C	EKM1-63 C50	EKM1-63 50A, C-type
1P+N 50A, tripping curve D	EKM1-63 D50	EKM1-63 50A, D-type
1P+N 63A, tripping curve B	EKM1-63 B63	EKM1-63 63A, B-type
1P+N 63A, tripping curve C	EKM1-63 C63	EKM1-63 63A, C-type
1P+N 63A, tripping curve D	EKM1-63 D63	EKM1-63 63A, D-type

Ordering information of 2-Pole MCB

2P 1A, tripping curve B	EKM1-63 B1	EKM1-63 1A, B-type
2P 1A, tripping curve C	EKM1-63 C1	EKM1-63 1A, C-type
2P 1A, tripping curve D	EKM1-63 D1	EKM1-63 1A, D-type
2P 2A, tripping curve B	EKM1-63 B2	EKM1-63 2A, B-type
2P 2A, tripping curve C	EKM1-63 C2	EKM1-63 2A, C-type
2P 2A, tripping curve D	EKM1-63 D2	EKM1-63 2A, D-type
2P 6A, tripping curve B	EKM1-63 B6	EKM1-63 6A, B-type
2P 6A, tripping curve C	EKM1-63 C6	EKM1-63 6A, C-type
2P 6A, tripping curve D	EKM1-63 D6	EKM1-63 6A, D-type
2P 8A, tripping curve B	EKM1-63 B8	EKM1-63 8A, B-type
2P 8A, tripping curve C	EKM1-63 C8	EKM1-63 8A, C-type
2P 8A, tripping curve D	EKM1-63 D8	EKM1-63 8A, D-type
2P 10A, tripping curve B	EKM1-63 B10	EKM1-63 10A, B-type
2P 10A, tripping curve C	EKM1-63 C10	EKM1-63 10A, C-type
2P 10A, tripping curve D	EKM1-63 D10	EKM1-63 10A, D-type
2P 12A, tripping curve B	EKM1-63 B12	EKM1-63 12A, B-type
2P 12A, tripping curve C	EKM1-63 C12	EKM1-63 12A, C-type
2P 12A, tripping curve D	EKM1-63 D12	EKM1-63 12A, D-type
2P 16A, tripping curve B	EKM1-63 B16	EKM1-63 16A, B-type
2P 16A, tripping curve C	EKM1-63 C16	EKM1-63 16A, C-type
2P 16A, tripping curve D	EKM1-63 D16	EKM1-63 16A, D-type
2P 20A, tripping curve B	EKM1-63 B20	EKM1-63 20A, B-type
2P 20A, tripping curve C	EKM1-63 C20	EKM1-63 20A, C-type
2P 20A, tripping curve D	EKM1-63 D20	EKM1-63 20A, D-type
2P 25A, tripping curve B	EKM1-63 B25	EKM1-63 25A, B-type
2P 25A, tripping curve C	EKM1-63 C25	EKM1-63 25A, C-type
2P 25A, tripping curve D	EKM1-63 D25	EKM1-63 25A, D-type
2P 32A, tripping curve B	EKM1-63 B32	EKM1-63 32A, B-type

2P 32A, tripping curve C	EKM1-63 C32	EKM1-63 32A, C-type
2P 32A, tripping curve D	EKM1-63 D32	EKM1-63 32A, D-type
2P 40A, tripping curve B	EKM1-63 B40	EKM1-63 40A, B-type
2P 40A, tripping curve C	EKM1-63 C40	EKM1-63 40A, C-type
2P 40A, tripping curve D	EKM1-63 D40	EKM1-63 40A, D-type
2P 50A, tripping curve B	EKM1-63 B50	EKM1-63 50A, B-type
2P 50A, tripping curve C	EKM1-63 C50	EKM1-63 50A, C-type
2P 50A, tripping curve D	EKM1-63 D50	EKM1-63 50A, D-type
2P 63A, tripping curve B	EKM1-63 B63	EKM1-63 63A, B-type
2P 63A, tripping curve C	EKM1-63 C63	EKM1-63 63A, C-type
2P 63A, tripping curve D	EKM1-63 D63	EKM1-63 63A, D-type

Ordering information of 3-Pole MCB

3P 1A, tripping curve B	EKM1-63 B1	EKM1-63 1A, B-type
3P 1A, tripping curve C	EKM1-63 C1	EKM1-63 1A, C-type
3P 1A, tripping curve D	EKM1-63 D1	EKM1-63 1A, D-type
3P 2A, tripping curve B	EKM1-63 B2	EKM1-63 2A, B-type
3P 2A, tripping curve C	EKM1-63 C2	EKM1-63 2A, C-type
3P 2A, tripping curve D	EKM1-63 D2	EKM1-63 2A, D-type
3P 6A, tripping curve B	EKM1-63 B6	EKM1-63 6A, B-type
3P 6A, tripping curve C	EKM1-63 C6	EKM1-63 6A, C-type
3P 6A, tripping curve D	EKM1-63 D6	EKM1-63 6A, D-type
3P 8A, tripping curve B	EKM1-63 B8	EKM1-63 8A, B-type
3P 8A, tripping curve C	EKM1-63 C8	EKM1-63 8A, C-type
3P 8A, tripping curve D	EKM1-63 D8	EKM1-63 8A, D-type
3P 10A, tripping curve B	EKM1-63 B10	EKM1-63 10A, B-type
3P 10A, tripping curve C	EKM1-63 C10	EKM1-63 10A, C-type
3P 10A, tripping curve D	EKM1-63 D10	EKM1-63 10A, D-type
3P 12A, tripping curve B	EKM1-63 B12	EKM1-63 12A, B-type
3P 12A, tripping curve C	EKM1-63 C12	EKM1-63 12A, C-type
3P 12A, tripping curve D	EKM1-63 D12	EKM1-63 12A, D-type
3P 16A, tripping curve B	EKM1-63 B16	EKM1-63 16A, B-type
3P 16A, tripping curve C	EKM1-63 C16	EKM1-63 16A, C-type
3P 16A, tripping curve D	EKM1-63 D16	EKM1-63 16A, D-type
3P 20A, tripping curve B	EKM1-63 B20	EKM1-63 20A, B-type
3P 20A, tripping curve C	EKM1-63 C20	EKM1-63 20A, C-type
3P 20A, tripping curve D	EKM1-63 D20	EKM1-63 20A, D-type
3P 25A, tripping curve B	EKM1-63 B25	EKM1-63 25A, B-type
3P 25A, tripping curve C	EKM1-63 C25	EKM1-63 25A, C-type
3P 25A, tripping curve D	EKM1-63 D25	EKM1-63 25A, D-type
3P 32A, tripping curve B	EKM1-63 B32	EKM1-63 32A, B-type
3P 32A, tripping curve C	EKM1-63 C32	EKM1-63 32A, C-type
3P 32A, tripping curve D	EKM1-63 D32	EKM1-63 32A, D-type
3P 40A, tripping curve B	EKM1-63 B40	EKM1-63 40A, B-type
3P 40A, tripping curve C	EKM1-63 C40	EKM1-63 40A, C-type
3P 40A, tripping curve D	EKM1-63 D40	EKM1-63 40A, D-type
3P 50A, tripping curve B	EKM1-63 B50	EKM1-63 50A, B-type
3P 50A, tripping curve C	EKM1-63 C50	EKM1-63 50A, C-type
3P 50A, tripping curve D	EKM1-63 D50	EKM1-63 50A, D-type
3P 63A, tripping curve B	EKM1-63 B63	EKM1-63 63A, B-type
3P 63A, tripping curve C	EKM1-63 C63	EKM1-63 63A, C-type
3P 63A, tripping curve D	EKM1-63 D63	EKM1-63 63A, D-type

EKM1-63 6kA MCB (2022 New Design)

Standard_ IEC60898-1

Ordering information of 3-Pole + 1N MCB

3P+N 1A, tripping curve B
 3P+N 1A, tripping curve C
 3P+N 1A, tripping curve D
 3P+N 2A, tripping curve B
 3P+N 2A, tripping curve C
 3P+N 2A, tripping curve D
 3P+N 6A, tripping curve B
 3P+N 6A, tripping curve C
 3P+N 6A, tripping curve D
 3P+N 8A, tripping curve B
 3P+N 8A, tripping curve C
 3P+N 8A, tripping curve D
 3P+N 10A, tripping curve B
 3P+N 10A, tripping curve C
 3P+N 10A, tripping curve D
 3P+N 12A, tripping curve B
 3P+N 12A, tripping curve C
 3P+N 12A, tripping curve D
 3P+N 16A, tripping curve B
 3P+N 16A, tripping curve C
 3P+N 16A, tripping curve D
 3P+N 20A, tripping curve B
 3P+N 20A, tripping curve C
 3P+N 20A, tripping curve D
 3P+N 25A, tripping curve B
 3P+N 25A, tripping curve C
 3P+N 25A, tripping curve D
 3P+N 32A, tripping curve B
 3P+N 32A, tripping curve C
 3P+N 32A, tripping curve D
 3P+N 40A, tripping curve B
 3P+N 40A, tripping curve C
 3P+N 40A, tripping curve D
 3P+N 50A, tripping curve B
 3P+N 50A, tripping curve C
 3P+N 50A, tripping curve D
 3P+N 63A, tripping curve B
 3P+N 63A, tripping curve C
 3P+N 63A, tripping curve D

EKM1-63 B1
 EKM1-63 C1
 EKM1-63 D1
 EKM1-63 B2
 EKM1-63 C2
 EKM1-63 D2
 EKM1-63 B6
 EKM1-63 C6
 EKM1-63 D6
 EKM1-63 B8
 EKM1-63 C8
 EKM1-63 D8
 EKM1-63 B10
 EKM1-63 C10
 EKM1-63 D10
 EKM1-63 B12
 EKM1-63 C12
 EKM1-63 D12
 EKM1-63 B16
 EKM1-63 C16
 EKM1-63 D16
 EKM1-63 B20
 EKM1-63 C20
 EKM1-63 D20
 EKM1-63 B25
 EKM1-63 C25
 EKM1-63 D25
 EKM1-63 B32
 EKM1-63 C32
 EKM1-63 D32
 EKM1-63 B40
 EKM1-63 C40
 EKM1-63 D40
 EKM1-63 B50
 EKM1-63 C50
 EKM1-63 D50
 EKM1-63 B63
 EKM1-63 C63
 EKM1-63 D63

EKM1-63 1A, B-type
 EKM1-63 1A, C-type
 EKM1-63 1A, D-type
 EKM1-63 2A, B-type
 EKM1-63 2A, C-type
 EKM1-63 2A, D-type
 EKM1-63 6A, B-type
 EKM1-63 6A, C-type
 EKM1-63 6A, D-type
 EKM1-63 8A, B-type
 EKM1-63 8A, C-type
 EKM1-63 8A, D-type
 EKM1-63 10A, B-type
 EKM1-63 10A, C-type
 EKM1-63 10A, D-type
 EKM1-63 12A, B-type
 EKM1-63 12A, C-type
 EKM1-63 12A, D-type
 EKM1-63 16A, B-type
 EKM1-63 16A, C-type
 EKM1-63 16A, D-type
 EKM1-63 20A, B-type
 EKM1-63 20A, C-type
 EKM1-63 20A, D-type
 EKM1-63 25A, B-type
 EKM1-63 25A, C-type
 EKM1-63 25A, D-type
 EKM1-63 32A, B-type
 EKM1-63 32A, C-type
 EKM1-63 32A, D-type
 EKM1-63 40A, B-type
 EKM1-63 40A, C-type
 EKM1-63 40A, D-type
 EKM1-63 50A, B-type
 EKM1-63 50A, C-type
 EKM1-63 50A, D-type
 EKM1-63 63A, B-type
 EKM1-63 63A, C-type
 EKM1-63 63A, D-type

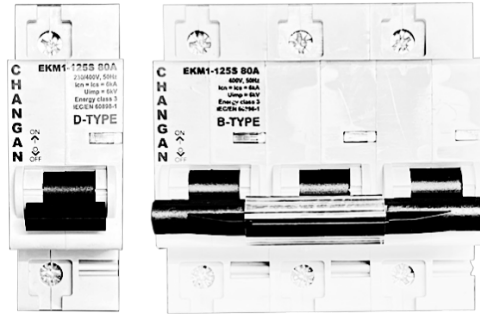
Ordering information of 4-Pole MCB

4P 1A, tripping curve B
 4P 1A, tripping curve C
 4P 1A, tripping curve D
 4P 2A, tripping curve B
 4P 2A, tripping curve C
 4P 2A, tripping curve D
 4P 6A, tripping curve B
 4P 6A, tripping curve C
 4P 6A, tripping curve D
 4P 8A, tripping curve B
 4P 8A, tripping curve C
 4P 8A, tripping curve D
 4P 10A, tripping curve B
 4P 10A, tripping curve C
 4P 10A, tripping curve D

EKM1-63 B1
 EKM1-63 C1
 EKM1-63 D1
 EKM1-63 B2
 EKM1-63 C2
 EKM1-63 D2
 EKM1-63 B6
 EKM1-63 C6
 EKM1-63 D6
 EKM1-63 B8
 EKM1-63 C8
 EKM1-63 D8
 EKM1-63 B10
 EKM1-63 C10
 EKM1-63 D10

EKM1-63 1A, B-type
 EKM1-63 1A, C-type
 EKM1-63 1A, D-type
 EKM1-63 2A, B-type
 EKM1-63 2A, C-type
 EKM1-63 2A, D-type
 EKM1-63 6A, B-type
 EKM1-63 6A, C-type
 EKM1-63 6A, D-type
 EKM1-63 8A, B-type
 EKM1-63 8A, C-type
 EKM1-63 8A, D-type
 EKM1-63 10A, B-type
 EKM1-63 10A, C-type
 EKM1-63 10A, D-type

4P 12A, tripping curve B	EKM1-63 B12	EKM1-63 12A, B-type
4P 12A, tripping curve C	EKM1-63 C12	EKM1-63 12A, C-type
4P 12A, tripping curve D	EKM1-63 D12	EKM1-63 12A, D-type
4P 16A, tripping curve B	EKM1-63 B16	EKM1-63 16A, B-type
4P 16A, tripping curve C	EKM1-63 C16	EKM1-63 16A, C-type
4P 16A, tripping curve D	EKM1-63 D16	EKM1-63 16A, D-type
4P 20A, tripping curve B	EKM1-63 B20	EKM1-63 20A, B-type
4P 20A, tripping curve C	EKM1-63 C20	EKM1-63 20A, C-type
4P 20A, tripping curve D	EKM1-63 D20	EKM1-63 20A, D-type
4P 25A, tripping curve B	EKM1-63 B25	EKM1-63 25A, B-type
4P 25A, tripping curve C	EKM1-63 C25	EKM1-63 25A, C-type
4P 25A, tripping curve D	EKM1-63 D25	EKM1-63 25A, D-type
4P 32A, tripping curve B	EKM1-63 B32	EKM1-63 32A, B-type
4P 32A, tripping curve C	EKM1-63 C32	EKM1-63 32A, C-type
4P 32A, tripping curve D	EKM1-63 D32	EKM1-63 32A, D-type
4P 40A, tripping curve B	EKM1-63 B40	EKM1-63 40A, B-type
4P 40A, tripping curve C	EKM1-63 C40	EKM1-63 40A, C-type
4P 40A, tripping curve D	EKM1-63 D40	EKM1-63 40A, D-type
4P 50A, tripping curve B	EKM1-63 B50	EKM1-63 50A, B-type
4P 50A, tripping curve C	EKM1-63 C50	EKM1-63 50A, C-type
4P 50A, tripping curve D	EKM1-63 D50	EKM1-63 50A, D-type
4P 63A, tripping curve B	EKM1-63 B63	EKM1-63 63A, B-type
4P 63A, tripping curve C	EKM1-63 C63	EKM1-63 63A, C-type
4P 63A, tripping curve D	EKM1-63 D63	EKM1-63 63A, D-type



Technical Data

Electrical Features

Rated current In	63,80,100,125A
Poles	1P, 1P+N, 2P, 3P, 3P+N, 4P
Rated voltage Ue	240/415 V
Insulation voltage Ui	500 V
Rated frequency	50/60 Hz
Rated breaking capacity	6000 A
Energy limiting class	3
Rated impulse withstand voltage (1.5/50) Uimp	4000 V
Dielectric test voltage at industrial frequency for 1 min	2 kV
Pollution degree	2
Thermo-magnetic release characteristic	8-12In
Tripping curve characteristic	B, C, D

Mechanical Features

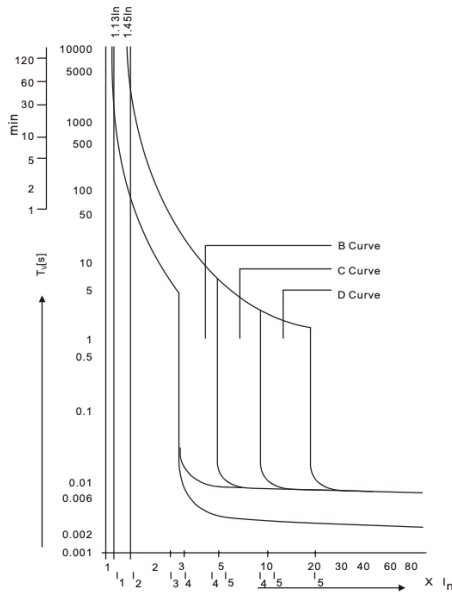
Electrical life	4000 cycles
Mechanical life	10000 cycles
Contact position indicator	Yes
Protection degree	IP20
Reference temperature for setting of thermal elements	30°C
Ambient temperature (with daily average $\leq 35^{\circ}\text{C}$)	$-5^{\circ}\text{C} \sim +40^{\circ}\text{C}$
Storage temperature	$-25^{\circ}\text{C} \sim +70^{\circ}\text{C}$

Installation

Terminal connection type	Cable/Pin-type busbar
Terminal size top/bottom for cable	50mm ² 18-2AWG
Terminal size top/bottom for busbar	50mm ² 18-2AWG
Tightening torque	3.5Nm 30In-lbs
Mounting	DIN rail EN 60715 (35mm)
Connection	Power supply in both directions

Characteristics

Curves



As per IEC60898	Thermal Tripping		Magnetic Tripping			
	No tripping current	Tripping current I_2	Time Limits t	Hold current I_4	Trip current I_5	Time Limits t
B Curve	$1.13 \times I_N$	$1.45 \times I_N$	$\geq 2h$	$3 \times I_N$	$5 \times I_N$	$\geq 0.1s$
			$< 1h$			$< 0.1s$
C Curve	$1.13 \times I_N$	$1.45 \times I_N$	$\geq 2h$	$5 \times I_N$	$10 \times I_N$	$\geq 0.1s$
			$< 1h$			$< 0.1s$
D Curve	$1.13 \times I_N$	$1.45 \times I_N$	$\geq 2h$	$10 \times I_N$	$20 \times I_N$	$\geq 0.1s$
			$< 1h$			$< 0.1s$

Tripping characteristics

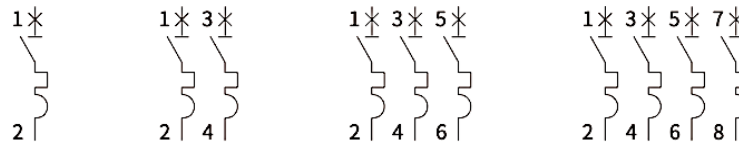
Based on the Tripping Characteristics, MCB are available in “B”, “C”, and “D” curve to suit different types of applications.

“B” Curve for protection of electrical circuits with equipment that does not cause surge current (lighting and distribution circuits). Short circuit release is set to $(3-5)I_N$.

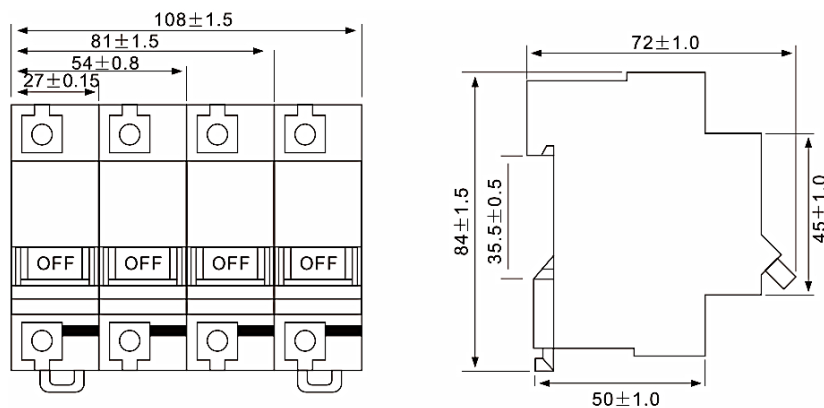
“C” Curve for protection of electrical circuits with equipment that cause surge current (inductive loads and motor circuits). Short circuit release is set to $(5-10)I_N$.

“D” Curve for protection of electrical circuits with cause high inrush current ,typically 12-15 times the thermal rated current (transformers, x-ray machines etc.). Short circuit release is set to $(10-20)I_N$.

Circuit Diagram



Overall and Installation Dimension (mm)



	Product	China market	International market
Ordering information	1P 63A, tripping curve B	EKM1-125S B63	EKM1-125S 63A, B-type
	1P 63A, tripping curve C	EKM1-125S C63	EKM1-125S 63A, C-type
	1P 63A, tripping curve D	EKM1-125S D63	EKM1-125S 63A, D-type
	1P 80A, tripping curve B	EKM1-125S B80	EKM1-125S 80A, B-type
	1P 80A, tripping curve C	EKM1-125S C80	EKM1-125S 80A, C-type
	1P 80A, tripping curve D	EKM1-125S D80	EKM1-125S 80A, D-type
	1P 100A, tripping curve B	EKM1-125S B100	EKM1-125S 100A, B-type
	1P 100A, tripping curve C	EKM1-125S C100	EKM1-125S 100A, C-type
	1P 100A, tripping curve D	EKM1-125S D100	EKM1-125S 100A, D-type
	1P 125A, tripping curve B	EKM1-125S B125	EKM1-125S 125A, B-type
	1P 125A, tripping curve C	EKM1-125S C125	EKM1-125S 125A, C-type
	1P 125A, tripping curve D	EKM1-125S D125	EKM1-125S 125A, D-type
	1P+N 63A, tripping curve B	EKM1-125S B63	EKM1-125S 63A, B-type
	1P+N 63A, tripping curve C	EKM1-125S C63	EKM1-125S 63A, C-type
	1P+N 63A, tripping curve D	EKM1-125S D63	EKM1-125S 63A, D-type
	1P+N 80A, tripping curve B	EKM1-125S B80	EKM1-125S 80A, B-type
	1P+N 80A, tripping curve C	EKM1-125S C80	EKM1-125S 80A, C-type
	1P+N 80A, tripping curve D	EKM1-125S D80	EKM1-125S 80A, D-type
	1P+N 100A, tripping curve B	EKM1-125S B100	EKM1-125S 100A, B-type
	1P+N 100A, tripping curve C	EKM1-125S C100	EKM1-125S 100A, C-type
	1P+N 100A, tripping curve D	EKM1-125S D100	EKM1-125S 100A, D-type
	1P+N 125A, tripping curve B	EKM1-125S B125	EKM1-125S 125A, B-type
	1P+N 125A, tripping curve C	EKM1-125S C125	EKM1-125S 125A, C-type
	1P+N 125A, tripping curve D	EKM1-125S D125	EKM1-125S 125A, D-type
	2P 63A, tripping curve B	EKM1-125S B63	EKM1-125S 63A, B-type
	2P 63A, tripping curve C	EKM1-125S C63	EKM1-125S 63A, C-type
	2P 63A, tripping curve D	EKM1-125S D63	EKM1-125S 63A, D-type
	2P 80A, tripping curve B	EKM1-125S B80	EKM1-125S 80A, B-type
	2P 80A, tripping curve C	EKM1-125S C80	EKM1-125S 80A, C-type
	2P 80A, tripping curve D	EKM1-125S D80	EKM1-125S 80A, D-type
	2P 100A, tripping curve B	EKM1-125S B100	EKM1-125S 100A, B-type
	2P 100A, tripping curve C	EKM1-125S C100	EKM1-125S 100A, C-type
	2P 100A, tripping curve D	EKM1-125S D100	EKM1-125S 100A, D-type
	2P 125A, tripping curve B	EKM1-125S B125	EKM1-125S 125A, B-type
	2P 125A, tripping curve C	EKM1-125S C125	EKM1-125S 125A, C-type
	2P 125A, tripping curve D	EKM1-125S D125	EKM1-125S 125A, D-type
	3P 63A, tripping curve B	EKM1-125S B63	EKM1-125S 63A, B-type
	3P 63A, tripping curve C	EKM1-125S C63	EKM1-125S 63A, C-type
	3P 63A, tripping curve D	EKM1-125S D63	EKM1-125S 63A, D-type
	3P 80A, tripping curve B	EKM1-125S B80	EKM1-125S 80A, B-type
	3P 80A, tripping curve C	EKM1-125S C80	EKM1-125S 80A, C-type
	3P 80A, tripping curve D	EKM1-125S D80	EKM1-125S 80A, D-type
	3P 100A, tripping curve B	EKM1-125S B100	EKM1-125S 100A, B-type
	3P 100A, tripping curve C	EKM1-125S C100	EKM1-125S 100A, C-type
	3P 100A, tripping curve D	EKM1-125S D100	EKM1-125S 100A, D-type
	3P 125A, tripping curve B	EKM1-125S B125	EKM1-125S 125A, B-type
	3P 125A, tripping curve C	EKM1-125S C125	EKM1-125S 125A, C-type
	3P 125A, tripping curve D	EKM1-125S D125	EKM1-125S 125A, D-type
3P+N 63A, tripping curve B	EKM1-125S B63	EKM1-125S 63A, B-type	
3P+N 63A, tripping curve C	EKM1-125S C63	EKM1-125S 63A, C-type	
3P+N 63A, tripping curve D	EKM1-125S D63	EKM1-125S 63A, D-type	
3P+N 80A, tripping curve B	EKM1-125S B80	EKM1-125S 80A, B-type	
3P+N 80A, tripping curve C	EKM1-125S C80	EKM1-125S 80A, C-type	

EKM1-125S 6kA MCB (2022 New Design)**Standard_ IEC60898-1**

3P+N 80A, tripping curve D	EKM1-125S D80	EKM1-125S 80A, D-type
3P+N 100A, tripping curve B	EKM1-125S B100	EKM1-125S 100A, B-type
3P+N 100A, tripping curve C	EKM1-125S C100	EKM1-125S 100A, C-type
3P+N 100A, tripping curve D	EKM1-125S D100	EKM1-125S 100A, D-type
3P+N 125A, tripping curve B	EKM1-125S B125	EKM1-125S 125A, B-type
3P+N 125A, tripping curve C	EKM1-125S C125	EKM1-125S 125A, C-type
3P+N 125A, tripping curve D	EKM1-125S D125	EKM1-125S 125A, D-type
4P 63A, tripping curve B	EKM1-125S B63	EKM1-125S 63A, B-type
4P 63A, tripping curve C	EKM1-125S C63	EKM1-125S 63A, C-type
4P 63A, tripping curve D	EKM1-125S D63	EKM1-125S 63A, D-type
4P 80A, tripping curve B	EKM1-125S B80	EKM1-125S 80A, B-type
4P 80A, tripping curve C	EKM1-125S C80	EKM1-125S 80A, C-type
4P 80A, tripping curve D	EKM1-125S D80	EKM1-125S 80A, D-type
4P 100A, tripping curve B	EKM1-125S B100	EKM1-125S 100A, B-type
4P 100A, tripping curve C	EKM1-125S C100	EKM1-125S 100A, C-type
4P 100A, tripping curve D	EKM1-125S D100	EKM1-125S 100A, D-type
4P 125A, tripping curve B	EKM1-125S B125	EKM1-125S 125A, B-type
4P 125A, tripping curve C	EKM1-125S C125	EKM1-125S 125A, C-type
4P 125A, tripping curve D	EKM1-125S D125	EKM1-125S 125A, D-type